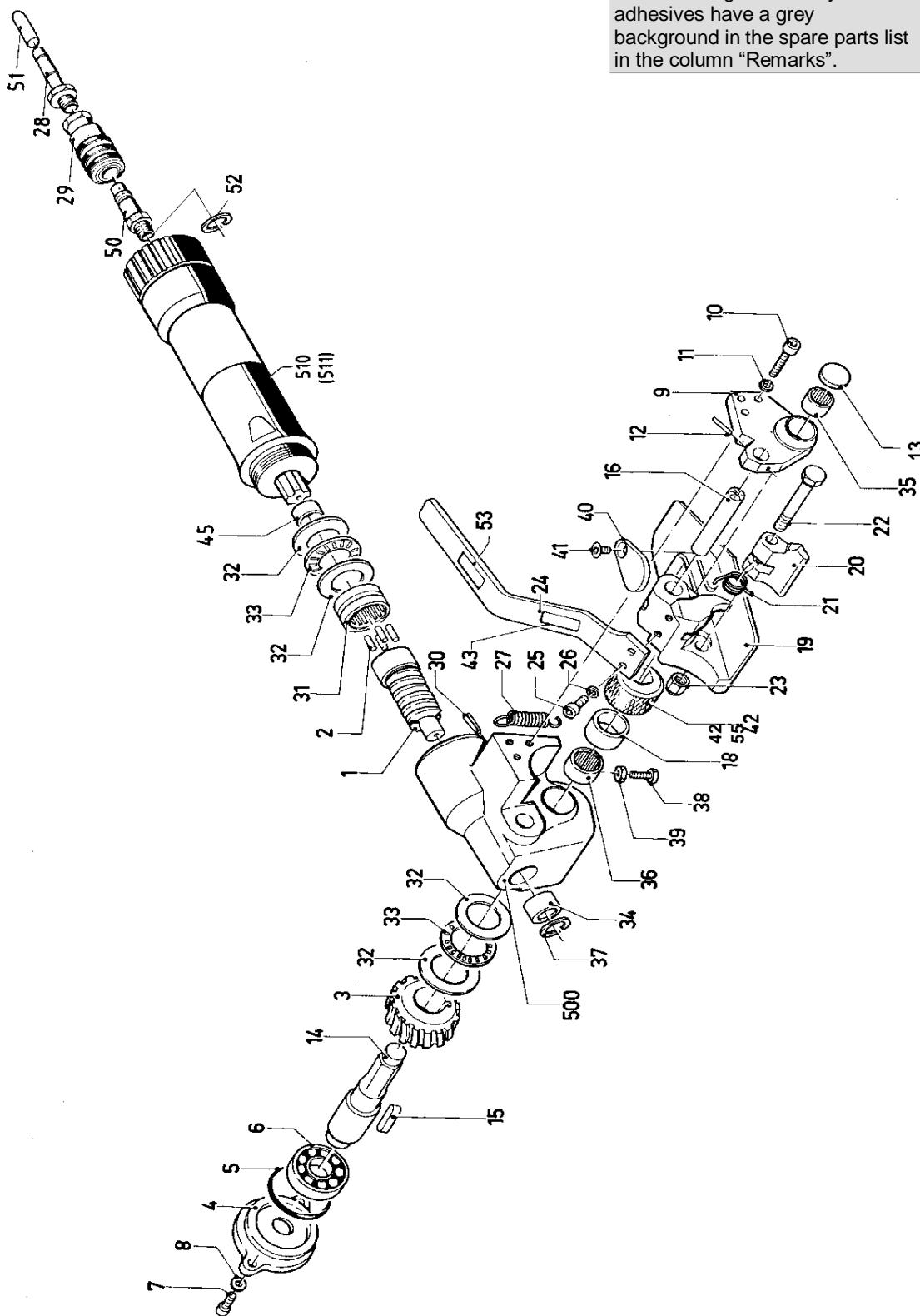


8. Spare parts list

8.1. Exploded view PR 33

Screws being secured by adhesives have a grey background in the spare parts list in the column "Remarks".



8.2. Spare parts list PR 33

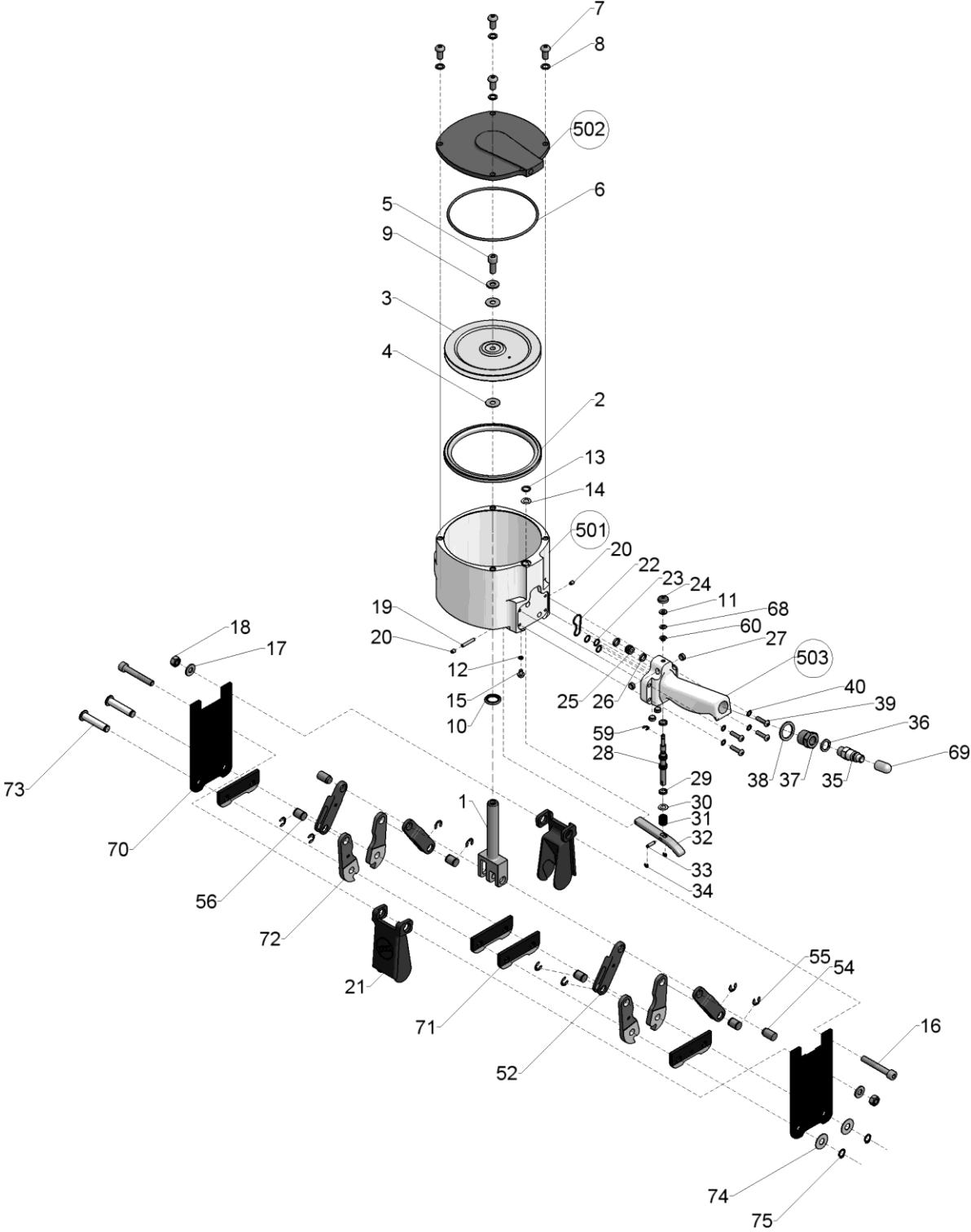
Pos.	Order no.	Description	Dimensions	Pcs.	Remarks
1	4545179 - 1	Worm		1	
2	4545179 - 2	Dowel pin	4m6 x 12	4	
3	4545179 - 3	Worm wheel		1	
4	4545179 - 4	Gear cover		1	
5	4545179 - 5	O-ring seal	45 x 1.5 B	1	
6	4545179 - 6	Deep-groove ball bearing	16003	1	
7	4545179 - 7	Cheese-head screw	M6 x 16	3	Loctite 242
8	4545179 - 8	Washer	S6	3	
9	4545179 - 9	Bearing plate		1	
10	4545179 - 10	Cheese-head screw	M6 x 25	3	Loctite 242
11	4545179 - 11	Washer	S6	3	
12	4545179 - 12	Withdrawal sleeve	3 x 20	1	
13	4545179 - 13	Sealing washer	20	1	
14	4545179 - 14	Conveyance shaft		1	
15	4545179 - 15	Key	A6 x 6 x 20	1	
16	4545179 - 16	Pintle		1	
18	4545179 - 18	Distance sleeve		1	
19	4545179 - 19	Tension element		1	
20	4545179 - 20	Articulated rail		1	
21	4545179 - 21	Leg spring		1	
22	4545179 - 22	Fitted bolt	M8 x 55	1	
23	4545179 - 23	Nut	M8	1	
24	4545179 - 24	Sprue		1	
25	4545179 - 25	Cheese-head screw	M6 x 12	2	Loctite 242
26	4545179 - 26	Washer	S6	2	
27	4545179 - 27	Tension spring		1	
28	4545179 - 28	Beak	G 3/8" PK 9	1	Loctite 242
29	4545179 - 29	Quick-acting coupling	ARO	1	
30	4545179 - 30	Withdrawal sleeve	5 x 24	1	
31	4545179 - 31	Needle bearings	NK 2616	1	
32	4545179 - 32	Wave washer	WS 81104	4	
33	4545179 - 33	Axial needle collar	AXK 2035	2	
34	4545179 - 34	Needle bush	DLF 1212	1	
35	4545179 - 35	Needle bush	DL 1312	1	
36	4545179 - 36	Needle bush	DLH 1816	1	
37	4545179 - 37	Circlip	18 x 1	1	
38	4545179 - 38	Hexagon bolt	M6 x 20	1	
39	4545179 - 39	Nut	M6	1	
40	4545179 - 40	Guide plate		1	
41	4545179 - 41	Counter-sunk screw	M6 x 10	1	
42	4545179 - 42	Idler		1	
43	4545179 - 43	Nameplate		1	
44	4545179 - 44	Groove pin		2	
45	4545179 - 45	Centering bush		1	
46	4545179 - 46	Turning sleeve	444392	1	
50	4545179 - 50	Coupling plug	ARO	1	Loctite 242
51	4545179 - 51	Cap	D - 11 x 20	1	

V = Wearing part
R = Replacement parts
I = Initial equipment

B = If necessary
O = Option

Pos.	Order no.	Description	Dimensions	Pcs.	Remarks
52	4545179 - 52	Distance washer		1	
53	4545179 - 53	Operating pressure plate		1	
55	4545179 - 55	Tensioning Wheel (HT)		1	I
500	4545179 - 500	Gearbox		1	
510	4545179 - 510	Compressed air motor	520G5 RDS	1	
511	4545179 - 511	Compressed air motor	520G5 RDS	1	R
V = Wearing part R = Replacement parts I = Initial equipment			B = If necessary O = Option		

83. Exploded view DPZ-L



Screws being secured by adhesives have a grey background in the spare parts list in the column "Remarks".

8.4. Spare parts list DPZ-L

Pos.	Order no.	Description	Dimensions	Pcs.	Remarks
1	3650002 – 1	Piston rod		1	V
2	3650002 – 2	Turcon-Glyd Ring	PT 0301400	1	
3	3650002 – 3	Piston		1	
4	3650002 – 4	Axial washer	AS821	2	
5	3650002 – 5	Cylinder screw	M8 x 20	1	
6	3650002 – 6	O – Ring	125 x 3	1	
7	3650002 – 7	Oval head screw	M8 x 16	4	
8	3650002 – 8	Thrust washer	S8	4	
9	3650002 – 9	Conical spring washer	8	1	
10	3650002 – 10	Turcon-Glyd Ring	RT 0100160	1	
11	3650002 – 11	Conical Spring washer	5		
12	3650002 – 12	O - Ring	4 x 1,5	1	
13	3650002 – 13	O – Ring	9 x 2	1	
14	3650002 – 14	Shim ring	8 x 14 x 0,5	1	
15	3650002 – 15	Deactivation pin		1	V
16	3650002 – 16	Cylinder screw	M8 x 55	2	
17	3650002 – 17	Washer	8,4	2	
18	3650002 – 18	Nut	M8	2	
19	3650002 – 19	Parallel pin	4m6 x 24	1	
20	3650002 – 20	Threaded pin	M5 x 6	2	Loctite 242
21	3650002 – 21	Rubber protection		2	
22	3650002 – 22	O – Ring	25 x 2	1	
23	3650002 – 23	O – Ring	8 x 1,5	3	
24	3650002 – 24	Stop button		1	Loctite 242
25	3650002 – 25	Safety plunger		1	
26	3650002 – 26	Turcon-Glyd Ring	PT 0000120	2	
27	3650002 – 27	Silencer	SD 18 F	4	Loctite 242
28	3650002 – 28	Valve plunger		1	
29	3650002 – 29	Turcon-Glyd Ring	PT 0000120	2	
30	3650002 – 30	Shim ring	8 x 14 x 0,5	1	
31	3650002 – 31	Pressure spring	D 180 - O	1	
32	3650002 – 32	Haul-off shackle		1	
33	3650002 – 33	Parallel pin		1	
34	3650002 – 34	Locking washer	3,2	2	
35	3650002 – 35	Nipple	G 1/4"	1	
36	3650002 – 36	Sealing ring	1/4"	1	
37	3650002 – 37	Reducer	1/2" – 1/4"	1	
38	3650002 – 38	Sealing ring	1/2"	1	
39	3650002 – 39	Oval head screw	M5 x 20	4	
40	3650002 – 40	Thrust washer	S5	4	

V = Wearing part
R = Replacement parts
I = Initial equipment
B = If necessary
O = Option

Pos.	Order no.	Description	Dimensions	Pcs.	Remarks
52	3650002 – 52	Pivot arm 32mm		4	
54	3650002 – 54	Clevis pin		2	
55	3650002 – 55	Locking washer	8	8	
56	3650002 – 56	Pivot arm pin		4	
59	3650002 – 59	Locking washer	3,2	1	
60	3650002 – 60	Floating bearing	0506-035	1	
68	3650002 – 68	Shim ring	5 x 10 x 0,5	1	
69	3650002 – 69	Cap		1	
70	3650002 – 70	End plate 32mm		2	V
71	3650002 – 71	Notching cutter 32mm		4	V
72	3650002 – 72	Screw die 32mm		4	V
73	3650002 – 73	Screw die pin		2	
74	3650002 – 74	Thrust washer	AS 1024	2	
75	3650002 – 75	Locking ring	10x1	2	
501	3650002 – 501	Cylinder complete		1	Incl. Pos. 10 u. 12
502	3650002 – 502	Cover complete		1	
503	3650002 – 503	Handhold complete		1	
V = Wearing part R = Replacement parts I = Initial equipment B = If necessary O = Option					

Distributed By:

Allstrap

1719 Kenny Rd
 Columbus, OH, 43212